



PT-400

PHACO TROLLEY

WITH MOTORIZED I/V POLE



360° VIEW

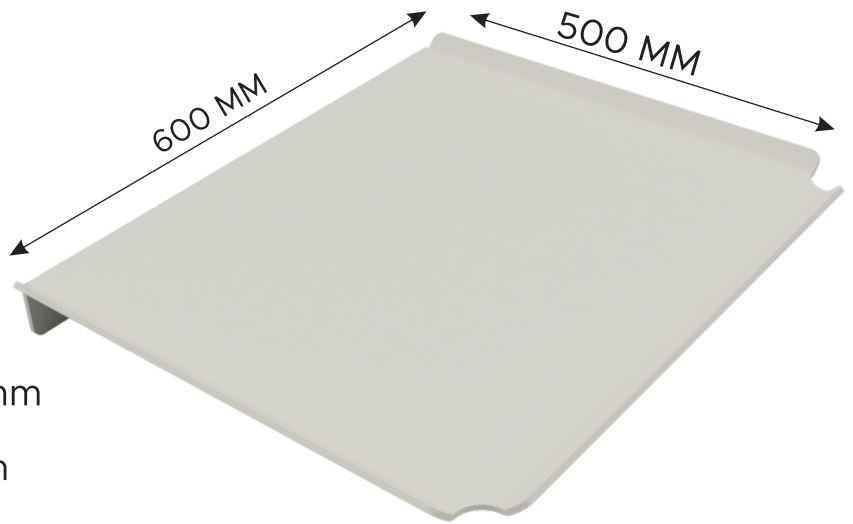


FEATURES

- Build with very high quality material
- Very sturdy design which can hold all phaco machines
- Motorized I/V Pole with foot switch control provides ease of operation during surgery
- Regular top plate provides adequate space for any phaco machine
- Optionally large top plate available for extra large phaco machines
- Stainless steel Instrument plate with swivel arm
- High quality heavy duty caster wheels for effortless movement
- Built in ergonomic handle for easy handling

PHACO STAND TOP

- High strength 5 mm thick MS
- Premium quality durable powder coating
- Optional Large Top available
- Normal Top Size: 600 x 500 mm
- Large Top Size: 660 x 580 mm

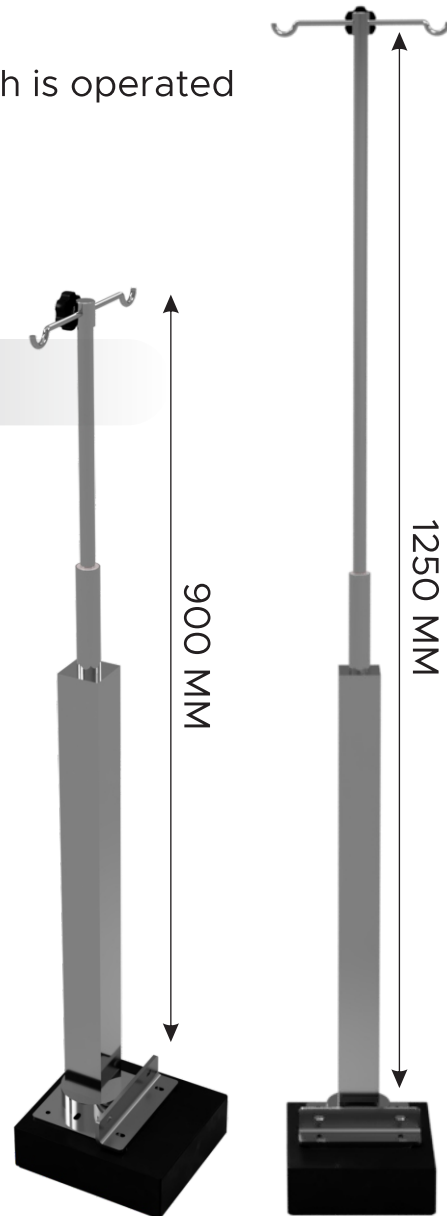
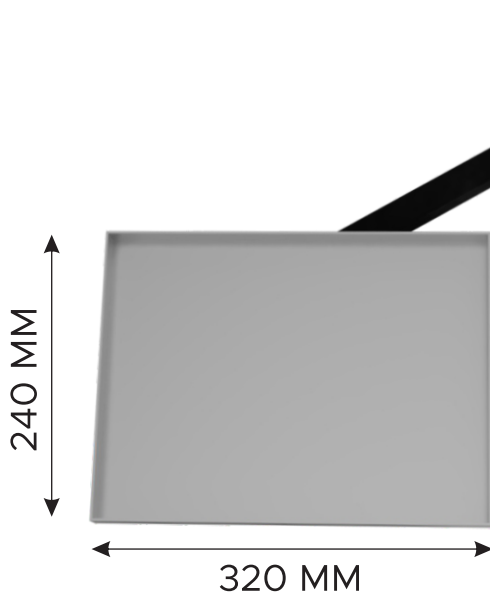


MOTORIZED I/V POLE

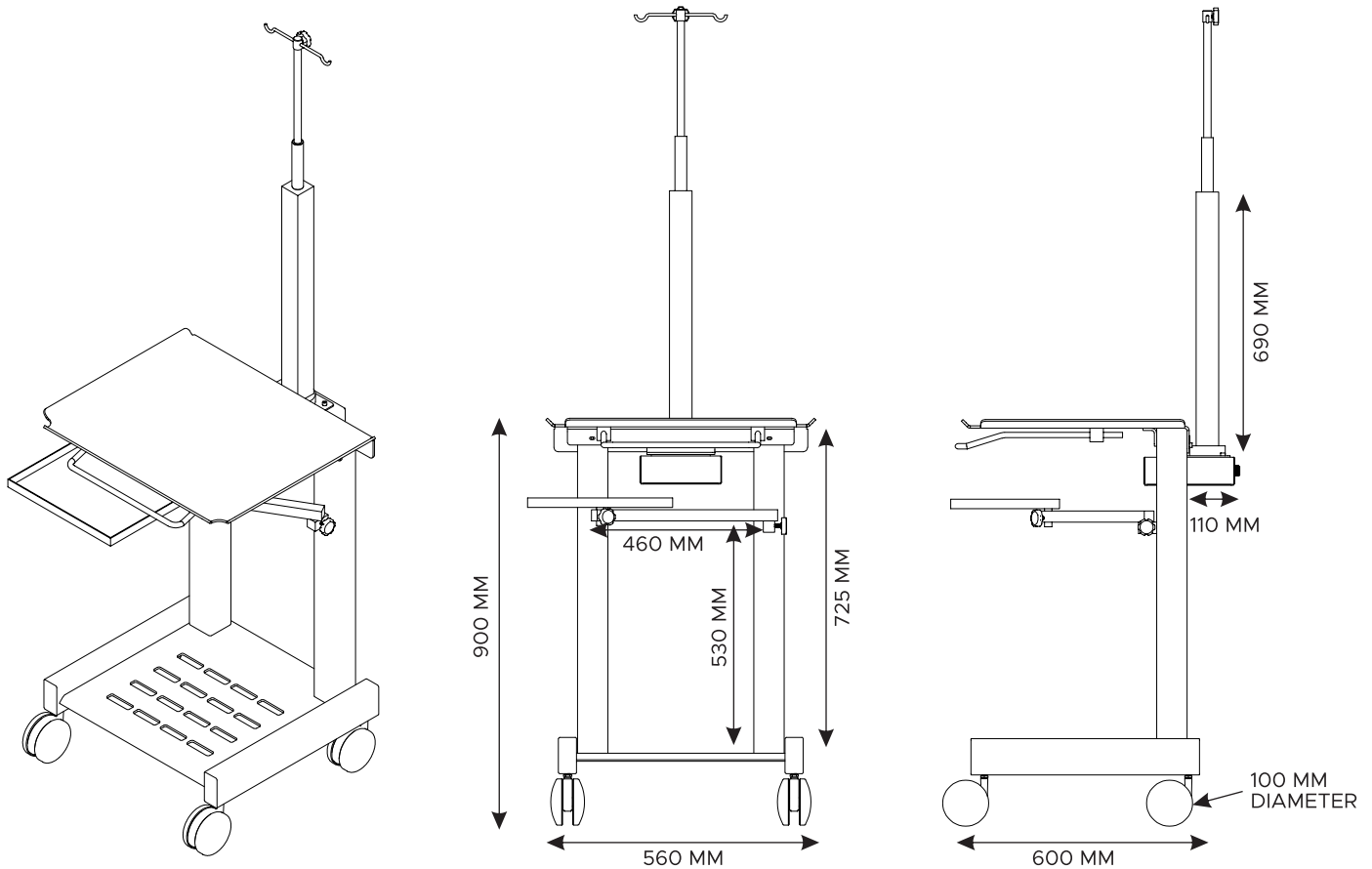
- Provided along with motorized SS I/V Pole system which is operated through foot pedal for surgeons convenience
- I/V pole can be extended up to 350 mm

INSTRUMENT TRAY

- Stainless Steel high quality instrument tray
- With swivel arm for ease of access during surgery



DIMENSIONS



TECHNICAL SPECIFICATION

IV Pole:	Motorized with foot pedal control
IV Pole Range:	350 mm
Top Size:	600 (W) x 500 (L) mm
Large Top Size [Optional]:	660 (W) x 580 (L) mm
Instrument Tray Size:	320 (W) x 240 (L) mm
Instrument Tray Type:	Rectangular, with swivel arm
Caster Wheels Size:	100 mm dia, heavy duty
Power:	12V DC Adapter for Motorized IV Pole
Packing Box Dimension:	105 (L) x 78 (W) x 40 (H) cm

MANUFACTURED & MARKETED BY

MEX
ENTERPRISES
We Share in Healthcare...
ISO 13485 :2016 & ISO 9001 :2015 Certified Company

Factory Address:
Plot No.-40, KI Ansal Green,
Kolar Road Bhopal-462042

HEAD OFFICE

MEX ENTERPRISES
ISO 13485 :2016 & ISO 9001 :2015 Certified Company
Plot No. 50/1B-50/2B, Rajharsh
Colony, Near CI Square Shopping
Mall, Kolar Road, Bhopal, M.P
India-462042

DELHI SALES OFFICE

MEX ENTERPRISES
ISO 13485 :2016 & ISO 9001 :2015 Certified Company
Building Name - Classic's, T-1895/1,
Upper Ridge Road, Karol Bagh, New
Delhi India- 110005

RAIPUR SALES OFFICE

MEX ENTERPRISES
ISO 13485 :2016 & ISO 9001 :2015 Certified Company
House No.-10/806, ShivanandNagar,
Jhanda Chowk, Raipur Chhattisgarh
India-492008

Ph.: +91 755 4256391, +91 9302778762, +91 9111429222, Email: info@mediequipbazar.com, export@mediequipbazar.com
Website: www.mediequipbazar.com